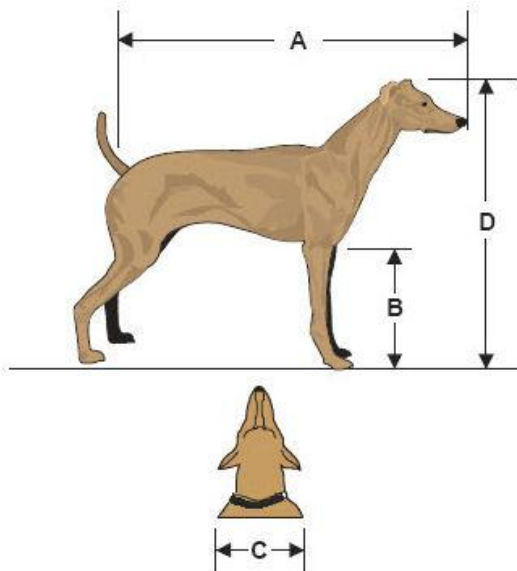


# KENNEL SIZING CHART FOR DOGS AND CATS

## Kennel Sizing Chart for Dogs and Cats



- A = Length of animal from nose to root of tail.
- B = Height from ground to elbow joint.
- C = Width across shoulders.
- D = Height of animal in a natural standing position from the top of the head or the ear tip, whichever is higher.

For dogs or cats traveling **international** or short nosed dogs determine the kennel size by:

$$\begin{aligned} \text{Length} &= A + B \\ \text{Width} &= C + 1\text{in (3cm)} \times 2 \\ \text{Height} &= D + 3\text{in (7cm)} \end{aligned}$$

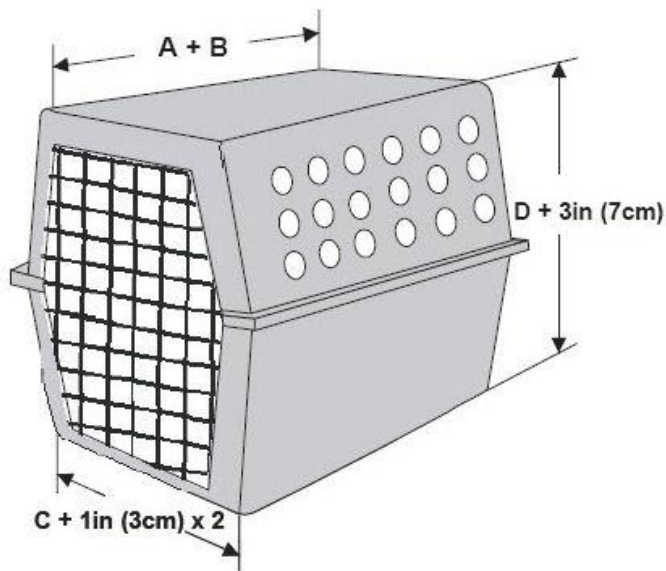
For all other dogs and cats, use:

$$\begin{aligned} \text{Length} &= A + \frac{1}{2} B \\ \text{Width} &= C \times 2 \\ \text{Height} &= D \end{aligned}$$

For kennels containing 2 dogs or cats, use the size of the largest animal to determine kennel size. The length and height are determined the same as for a single animal and multiply  $C + 1\text{in (3cm)} \times 3$  or  $C \times 3$  respectively to determine the width.

See the diagrams below:

### International Dogs and Cats or Short Nosed Dogs



### Domestic Dogs and Cats

